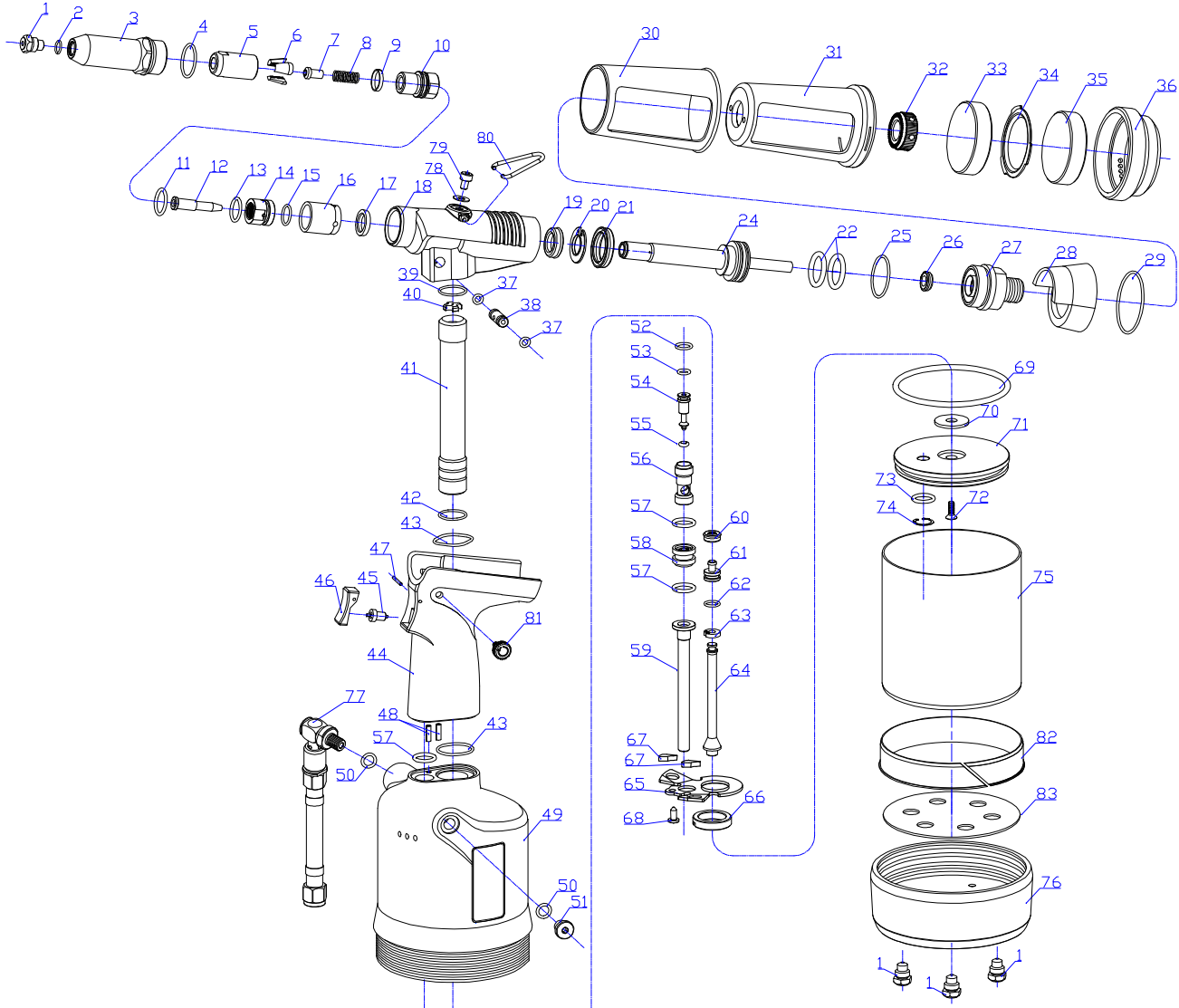


OS-1530 **GAV** HAVALI POP PERÇİN



| NO. | PARÇA ADI | ADET | NO. | PARÇA ADI | ADET | NO. | PARÇA ADI | ADET |
|-----|------------------------|------|-----|------------------------|------|-----|-------------------------|------|
| 1 | NOSEPIECE 4.0 | 1 | 26 | LIP SEAL | 1 | 55 | O RING | 1 |
| 1 | NOSEPIECE 4.8 | 1 | 27 | END CAP | 1 | 56 | VALVE BODY | 1 |
| 1 | NOSEPIECE 6.4 | 1 | 28 | STEM COLLECTOR ADAPTOR | 1 | 57 | O RING | 3 |
| 1 | NOSEPIECE 4.8 MONOBOLT | 1 | 29 | O RING | 1 | 58 | VALVE SEAT | 1 |
| 1 | NOSEPIECE 6.4 MONOBOLT | 1 | 30 | STEM COLLECTOR OUTER | 1 | 59 | TRANSFER TUBE | 1 |
| 2 | O RING | 1 | 31 | STEM COLLECTOR INNER | 1 | 60 | LIP SEAL | 1 |
| 3 | NOSE CASING | 1 | 32 | RETAINING NUT | 1 | 61 | OIL TUBE PISTON | 1 |
| 4 | O RING | 1 | 33 | SILENCER | 1 | 62 | O RING | 1 |
| 5 | JAW HOUSING | 1 | 34 | STEM COLLECTOR END CAP | 1 | 63 | PISTON RING | 1 |
| 6 | JAWS | 1 | 35 | SILENCER | 1 | 64 | PISTON ROD | 1 |
| 7 | JAW SPREADER | 1 | 36 | SILENCER CAP | 1 | 65 | CLAMP PLATE | 1 |
| 8 | SPRING | 1 | 37 | O RING | 2 | 66 | SET NUT | 1 |
| 9 | LOCK RING | 1 | 38 | ADJUSTING BUTTON | 1 | 67 | SILENCER | 2 |
| 10 | JAW SPREADER HOUSING | 1 | 39 | O RING | 1 | 68 | TAPPING SCREW | 1 |
| 11 | O RING | 1 | 40 | STAR WASHER | 1 | 69 | O RING | 1 |
| 12 | VACUUM SLEEVE | 1 | 41 | OIL TUBE | 1 | 70 | WASHER | 1 |
| 13 | PTFE RING | 1 | 42 | O RING | 1 | 71 | PISTON | 1 |
| 14 | SET NUT | 1 | 43 | O RING | 2 | 72 | BOLT | 1 |
| 15 | O RING | 1 | 44 | HANDLE | 1 | 73 | LIP SEAL | 1 |
| 16 | SEAL HOUSING | 1 | 45 | TRIGGER VALVE | 1 | 74 | RETAINING RING | 1 |
| 17 | SEALING RING | 1 | 46 | TRIGGER | 1 | 75 | ALUMINUM CYLINDER LINER | 1 |
| 18 | HEAD ASSEMBLY | 1 | 47 | TRIGGER PIN | 1 | 76 | BASE COVER | 1 |
| 19 | LIP SEAL | 1 | 48 | SPRING PIN | 2 | 77 | ON/OFF ASSEMBLY | 1 |
| 20 | SEAL RETAINER | 1 | 49 | PLASTIC CYLINDER | 1 | 78 | WASHER | 1 |
| 21 | LIP SEAL | 1 | 50 | O RING | 2 | 79 | OIL SCREW | 1 |
| 22 | O RING | 2 | 51 | SCREW | 1 | 80 | HOOK | 1 |
| 23 | | | 52 | O RING | 1 | 81 | ADJUSTING NUT | 1 |
| 24 | HEAD PISTON | 1 | 53 | O RING | 1 | 82 | SPACER | 1 |
| 25 | O RING | 1 | 54 | VALVE SPOOL | 1 | 83 | CUSHION | 1 |